

San Telequip Private Limited,
 504/505 Deron Heights, Baner Road, Baner
 Pune 411045, Mah, India
 Phone : +91-20-27293455, 9764027070, 8390069393
 email : info@santelequip.com



Connecting. Converting. Leading!

Document Name: User Manual for 8 RS485 Hub, Model SC08S8

SC08S is a RS485 hub specially designed to meet the requirements of RS485 under difficult field environments. A transmission rate as high as 115.2 Kbps is supported, RS485 is 2.5KV Opto isolated, 1500W surge protected to avoid lighting or surges, ensuring safety and reliability of the device. All the terminals are Short circuit protected.

The transmission distance is as far as 1200 meters. This product is widely used in Express way toll system, Energy monitoring system etc.

Specifications

Interface	: Compatible with RS232C and RS485 standards of EIA/TIA
Common Port	: 5 Pin Screw type terminals for RS232 & RS485 2 Wire
Input Ports	: 8 Ports. 3 Pin screw type terminals. RS485 2 wire
Working mode	: Asynchronous half-duplex
Indicators	: 12 signal indicator including PWR, TXD, RXD and failure (E1-E8).
Isolation	: 2500 VRMS
Baud rate	: 300bps -115.2Kbps
Protection RS-232	: 15KV ESD
Protection RS-485	: 1500W lighting strike surge protection for each line
Protection	: Short Circuit
Port Isolation	: Each port is isolated with all other ports
Transmission distance	: 1200m
Dimension	: 210 (W) X 140 (D) X 31 (H) mm without clamp. 250 (W) X 140 (D) X 31 (H) mm with clamp
Dual Power Supply	: 230V AC Internal and 230V AC External adapter,12V DC 1A output. Adapter supply act as a master.
Working environment	: Temp 0 to 50°C, Relative humidity 5% to 95%.

Panel and Indicators

There are 12 indicator lights on the front panel of SC08S, and on the back panel there are RJ45 connectors for RS485 or RS232 ports.



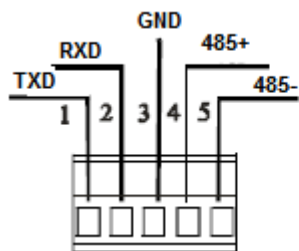
Front Panel



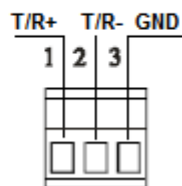
Back Panel

- P1 Power, Red LED for Power On
- P2 Power, Red LED for Power On.
- TXD Data send from Input to 8 Output ports, Green for normal transmission
- RXD Data receive from 8 Output to 1 Input port, yellow for normal reception
- E1-E8 Failure alarms, ON to indicate short circuit or wrong signal connection of ports 1-8

Pin Definitions



Common Port RS232/485

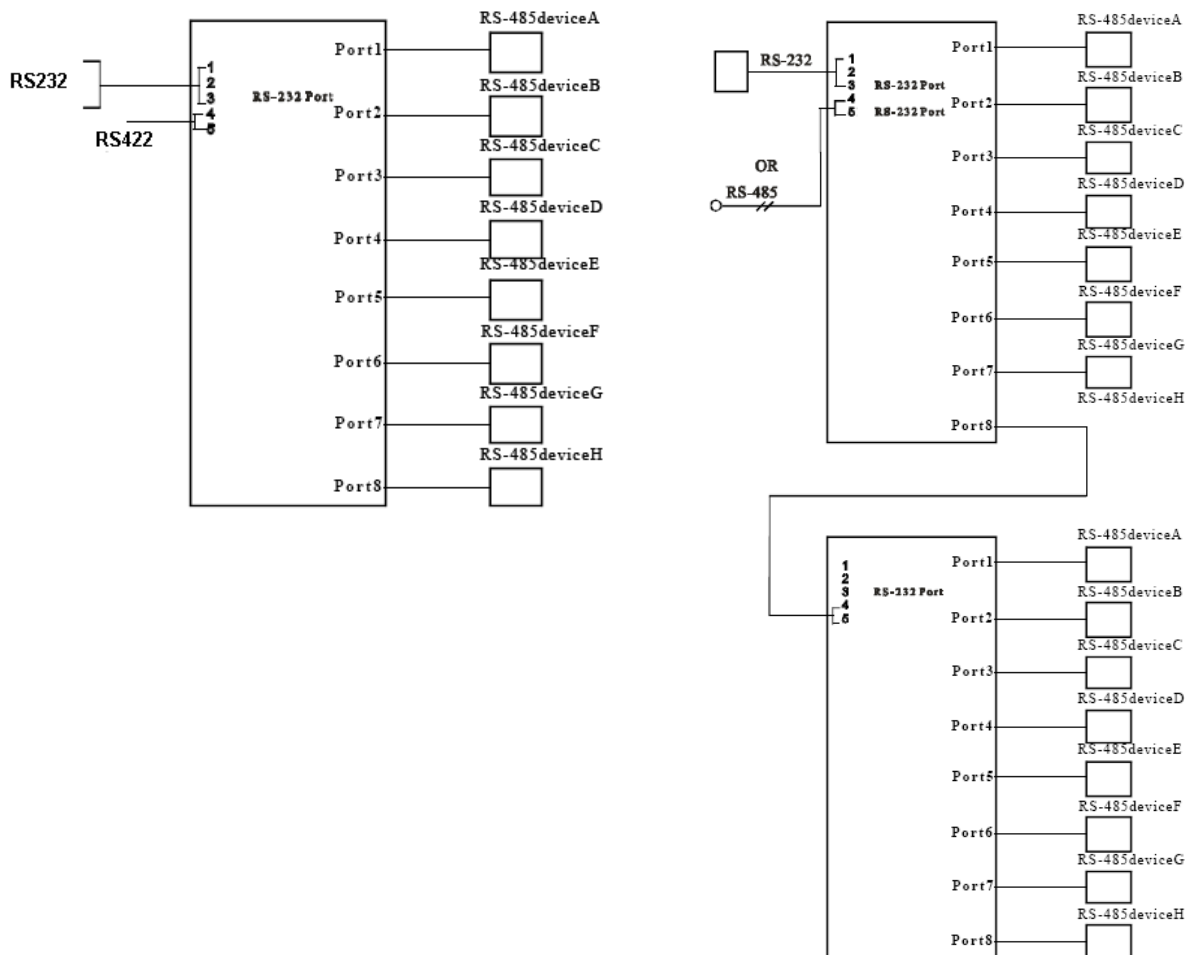


RS485 Ports

5 Pin Terminal Interface	Definition	Signal Direction
1	TXD	OUT
2	RXD	IN
3	GND	
4	485+	
5	485-	

3 Pin Interface	RS-485
1	T/R+
2	T/R-
3	GND

Application



Connection details of SC08S8

For RS232

SC08 Side	COM Port Side
TXD	RX
RXD	TX
GND	GND

For RS485, 2 wire

SC08 Side-RS485 Port	Will Connect to
T/R + /485+	TX + of your device.
T/R - /485-	TX -- of your device.